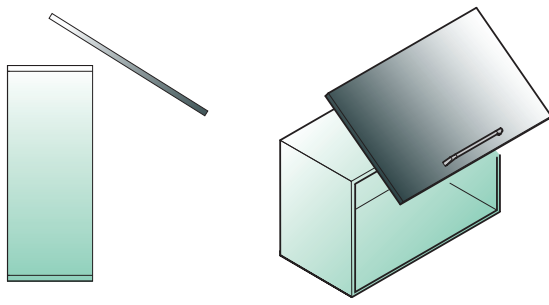
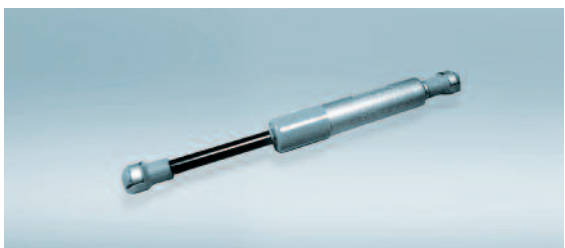
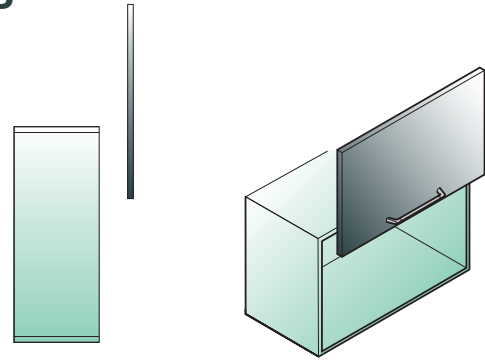




### SoftLift



### HSB



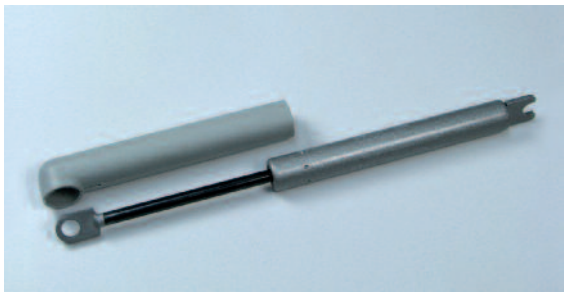
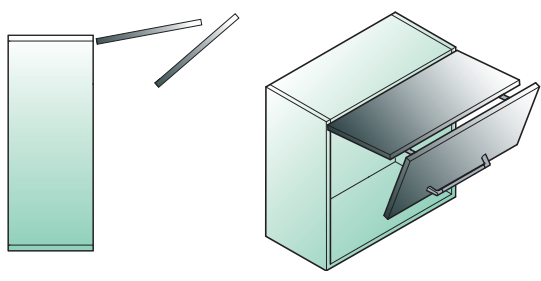
**Compression springs**  
for SoftLift and HSB fitting

| Art. No.            | 200 N | 250 N | 320 N | 380 N | 450 N |
|---------------------|-------|-------|-------|-------|-------|
| <b>00 1336 9006</b> |       |       |       |       |       |
| <b>00 1337 9006</b> |       |       |       |       |       |
| <b>00 1338 9006</b> |       |       |       |       |       |
| <b>00 1339 9006</b> |       |       |       |       |       |
| <b>00 1356 9006</b> |       |       |       |       |       |

### Compression spring strength (N)

| Front panel max. weight<br>incl. handle | Front panel height up to |        |        |        |        |        |        |
|---|--------------------------|--------|--------|--------|--------|--------|--------|
|   | 400 mm                   | 450 mm | 500 mm | 550 mm | 600 mm | 650 mm | 720 mm |
| 3.0 kg                                  | 200                      | 200    | 200    | 200    | 200    | 200    | 250    |
| 3.5 kg                                  | 200                      | 200    | 200    | 200    | 200    | 200    | 250    |
| 4.0 kg                                  | 200                      | 200    | 200    | 200    | 200    | 250    | 250    |
| 4.5 kg                                  | 200                      | 200    | 200    | 200    | 250    | 250    | 250    |
| 5.0 kg                                  | 200                      | 200    | 200    | 250    | 250    | 250    | 320    |
| 5.5 kg                                  | 200                      | 200    | 250    | 250    | 250    | 320    | 320    |
| 6.0 kg                                  | 200                      | 250    | 250    | 250    | 320    | 320    | 320    |
| 6.5 kg                                  | 250                      | 250    | 250    | 320    | 320    | 320    | 320    |
| 7.0 kg                                  | 250                      | 250    | 250    | 320    | 320    | 320    | 320    |
| 7.5 kg                                  | 250                      | 250    | 320    | 320    | 320    | 320    | 320    |
| 8.0 kg                                  | 250                      | 320    | 320    | 320    | 320    | 320    | 380    |
| 8.5 kg                                  | 250                      | 320    | 320    | 320    | 320    | 380    | 380    |
| 9.0 kg                                  | 320                      | 320    | 320    | 320    | 380    | 380    | 380    |
| 9.5 kg                                  | 320                      | 320    | 320    | 380    | 380    | 380    | 450    |
| 10.0 kg                                 | 320                      | 320    | 320    | 380    | 380    | 450    | 450    |
| 10.5 kg                                 | 320                      | 320    | 380    | 380    | 380    | 450    | 450    |
| 11.0 kg                                 | 320                      | 320    | 380    | 380    | 380    | 450    | 450    |

### Folding lift fitting



**Compression springs**  
for Folding lift fitting  
for cabinets up to 600 mm wide  
with max. total door weight

|                        |       |
|------------------------|-------|
| 3.5 kg = 1 spring each | 180 N |
| 4.0 kg = 1 spring each | 200 N |
| 6.0 kg = 1 spring each | 280 N |

| Art. No.            | 180 N | 200 N | 280 N |
|---------------------|-------|-------|-------|
| <b>00 1404 9006</b> |       |       |       |
| <b>00 1405 9006</b> |       |       |       |
| <b>00 1407 9006</b> |       |       |       |

for cabinets 600-1200 mm wide  
with max. total door weight

|                          |       |
|--------------------------|-------|
| 7.5 kg = 2 springs each  | 180 N |
| 8.5 kg = 2 springs each  | 200 N |
| 11.0 kg = 2 springs each | 280 N |

|                     |  |  |
|---------------------|--|--|
| <b>00 1404 9006</b> |  |  |
| <b>00 1405 9006</b> |  |  |
| <b>00 1407 9006</b> |  |  |